



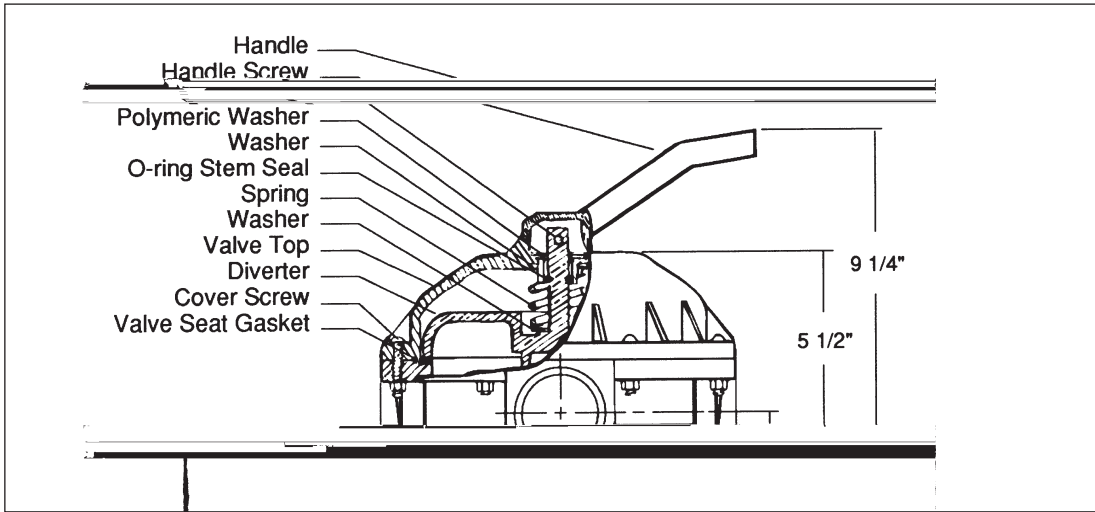
HI-FLOW™

SIDE MOUNTED BACKWASH VALVE

IMPORTANT SAFETY INSTRUCTIONS

SAVE THESE INSTRUCTIONS

Valve Positions Overview	2
Valve Installation	3



⚠ WARNING

Valve Installation

1. Connect the backwash line to the backwash inlet. Tighten the nut by hand only. No additional tightness is required.
2. Install the backwash line to the backwash inlet. Tighten the nut by hand only. No additional tightness is required.

Tighten the nuts by hand only! No additional tightness is required.

3. Place the backwash line in the backwash inlet.
4. Place the backwash line in the backwash inlet.

Winterizing

1. Drain the backwash line and the backwash inlet.
2. Drain the backwash line and the backwash inlet.

Replacement of Valve Top and Diverter Assembly

1. See the backwash line in the backwash inlet.
2. Remove the backwash line.
3. Lift the backwash line and the backwash inlet.
4. Install the backwash line and the backwash inlet. Be sure to install the backwash line and the backwash inlet.
5. Tighten the backwash line and the backwash inlet. Do not over-tighten.

Complete Disassembly

1. Remove the backwash line and the backwash inlet. Do not over-tighten.
2. Remove the backwash line and the backwash inlet.

Top is under spring load. Loosen all screws before removing any of them.

3. Remove the backwash line and the backwash inlet.
- 4.

Technical Data

Replacement Parts