

AURORA ACCESSORIES



1040 305

FEBRUARY 2012

Supersedes Section 1040 Page 305
Dated May 2010

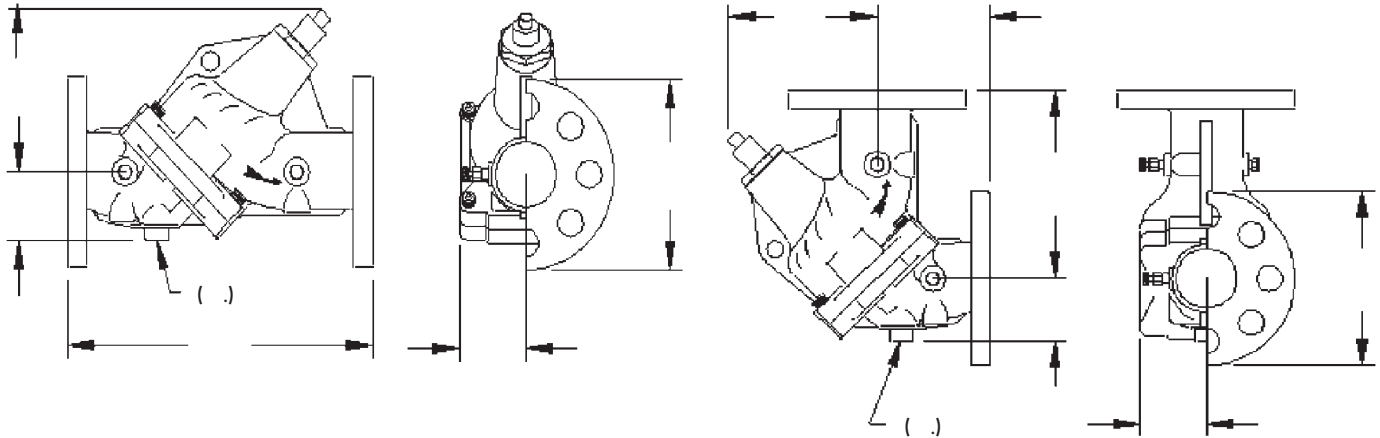
MODEL	3DVG-S (S .) _ ()					3DVG-A (A .) _ ()				
6										



AURORA ACCESSORIES

1040 309

MAY 2010



125	DIMENSIONS ()								
	C S	2-1/2	3	4	5	6	8	10	12
A		7.38 (187)	8.19 (208)	9.63 (245)	12.00 (305)	14.13 (359)	19.00 (483)	20.30 (516)	24.07 (611)
B (fully open)		7.00 (178)	7.81 (198)	8.00 (203)	10.13 (257)	10.38 (264)	18.75 (476)	24.00 (610)	26.25 (667)
C		2.75 (70)	2.44 (62)	3.00 (76)	3.63 (92)	4.44 (113)	5.69 (145)	6.56 (167)	7.63 (194)
D		4.63 (118)	3.88 (99)	4.38 (111)	5.50 (140)	6.63 (168)	9.19 (233)	9.78 (248)	14.05 (357)
E		1.00 (25)	1.00 (25)	1.25 (32)	1.25 (32)	2.00 (51)	2.25 (57)	2.25 (57)	2.25 (57)
F		2.56 (65)	3.00 (76)	3.44 (87)	4.94 (125)	5.88 (149)	7.88 (200)	9.47 (241)	12.63 (321)
G		7.00 (178)	7.50 (191)	9.00 (229)	10.00 (254)	11.00 (279)	13.50 (343)	16.00 (406)	19.00 (483)
S		12.00 (305)	12.00 (305)	14.00 (356)	17.50 (445)	20.69 (526)	28.00 (711)	30.01 (762)	38.09 (967)
Weight lbs. (kg)		33 (15.0)	39 (17.7)	59 (26.8)	108 (49.0)	167 (75.7)	344 (156.0)	603 (273)	1006 (456)

250	DIMENSIONS ()			
	C S	8	10	12
A		19.11 (485)	20.33 (516)	24.05 (611)
B (fully open)		18.75 (476)	24.00 (610)	26.25 (667)
C		5.69 (145)	6.56 (167)	7.63 (194)
D		9.69 (246)	9.80 (249)	14.03 (356)
E		2.25 (57)	2.25 (57)	2.25 (57)
F		7.88 (200)	9.47 (241)	12.63 (321)
G		15.00 (380)	17.50 (445)	20.50 (521)
S		28.20 (716)	30.01 (762)	38.05 (966)
Weight lbs. (kg)		396 (180.0)	712 (323.6)	1163 (528.6)

N : Dimensional Tolerance up to +/- 0.125 in (3mm).

M	C	
ANSI Flange Rating	125 psi	250 psi
Body	Cast Iron – ASTM A48 Class 30	Ductile Iron – ASTM A536 GR 65-45-12
Disc	Bronze – ASTM B584-C84400	
Seat	EPDM*	
Stem	Stainless Steel – ASTM A582 Type 416	
Spring	Stainless Steel – ASTM A313 Type 302	
O-Rings	Buna (STEM) Elastomers & EPDM	
Metering Ports (2)	Brass Body with EPDM Check and Gasketed Cap	
Drain Tappings (2)	1/4" NPT with Brass Plug	
Insulation (Optional)	PVC white cover with mineral fiberglass insulation which meets or exceeds ASTM D1784 Class 14253-C, MEA #7-87, ASTM E84 and ASTM E136 and flame rating of 25 or less and smoke rating of 50 or less.	

ANSI Flange Rating	125 psi	250 psi
Max. Working Pressure	250 psi (17 bars)	375 psi (25 bars)

O F : Viton® Elastomers for temperatures to 300°F (150°C).

*EPDM E

