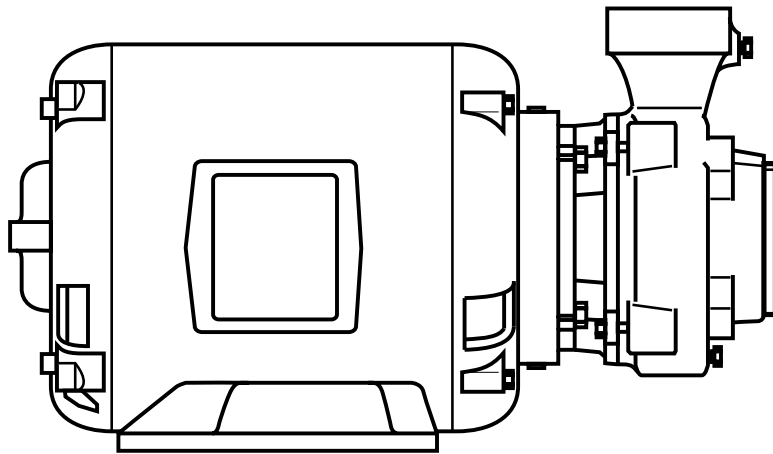


320A SERIES REPAIR PARTS INDEX



... PUMP AND MOTOR
... NG TO INSTALL,
... THE PUMP



SECTION 320P PAGE 3
DATED **FEBRUARY 1999**
SUPERSEDES 320P PAGE 3
DATED JUNE 1998

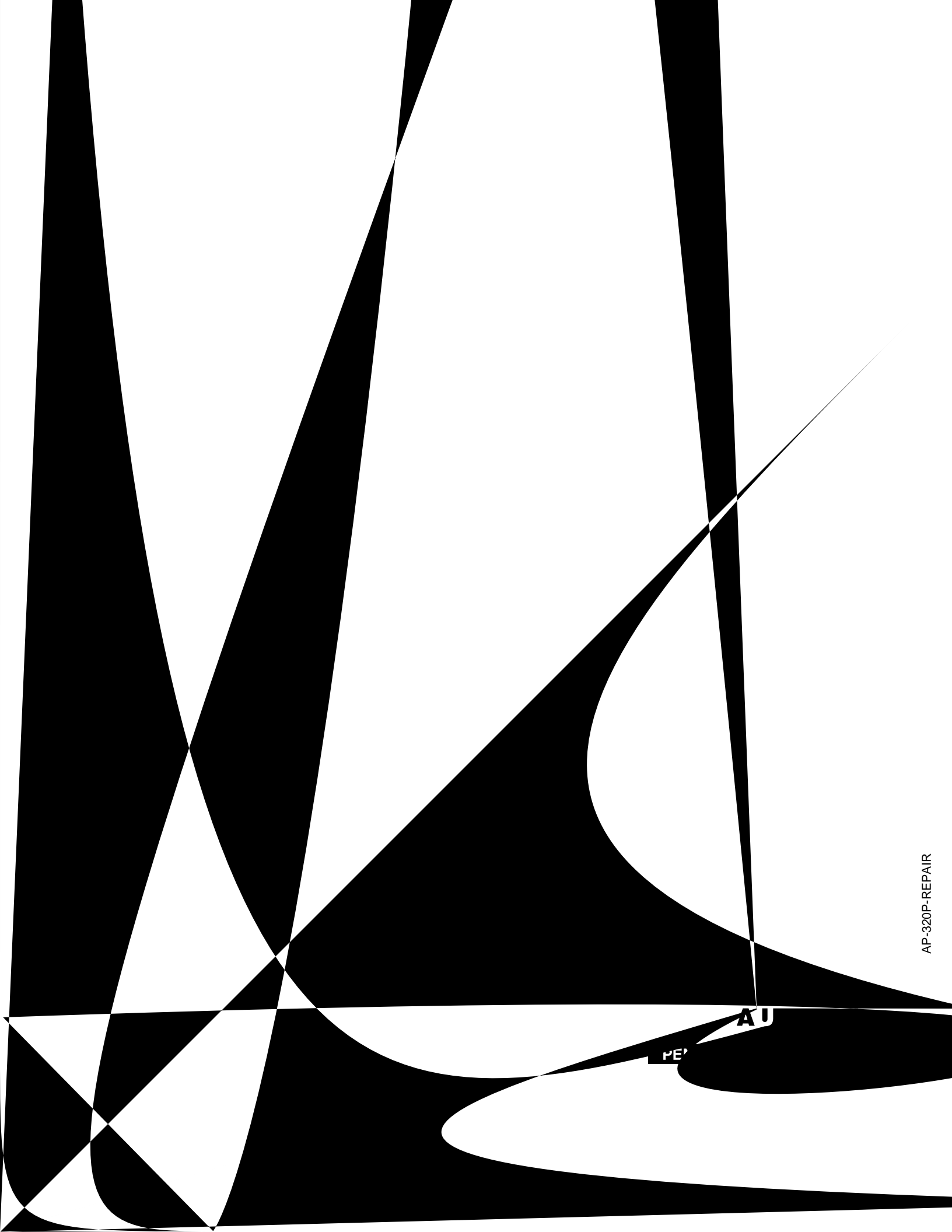
SECTION 320P PAGE 4
DATED **FEBRUARY 1999**
SUPERSEDES 320P PAGE 4
DATED JUNE 1998



320 SE'
MODELS 32'
4" - 5" -

PA'

SECTION 320P PAGE 7
DATED FEBRUARY 1999
SUPERSEDES 320P PAGE 7
DATED JUNE 1998



AP-320P-REPAIR

PEP
AU