

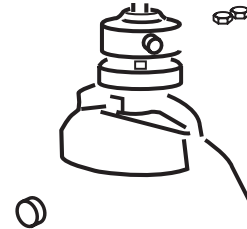
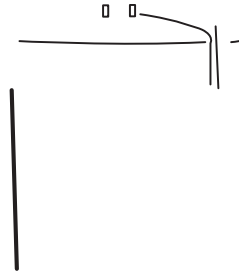
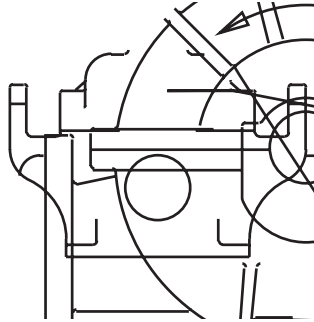
AURORA® MODELS
471-481-483-485-491-492
ENGINEERING SPECIFICATIONS
CENTRIFUGAL FIRE PUMPS

Section **910** Page **61**

Date **April 2018**

Supersedes Section 910 Page 61

Dated March 2013



Furnish and install where shown on plans _____ Aurora
Fire Pump System(s) complete with pump, driver, controller and accessories.
The pumping unit shall be listed by Underwriters' Laboratories, Inc. and/
or shall be fully approved by the Associated Factory Mutual Fire Insurance
Companies where applicable. The pumping unit shall meet all requirements
of the National Fire Protection Association (NFPA) 9A and 9A.1.

Fire be
td

Section **910** Page **64** ■

Date **April 2018**

Supersedes Section 910 Page 64
Dated March 2013

AURORA® MODELS
471-481-483-485-491-492

ENGINEERING SPECIFICATIONS
CENTRIFUGAL FIRE PUMPS

FUEL SYSTEM

A suitable fuel system for the diesel engine shall be furnished. It must be