

**A LICA I7S**

for homes, farms and cottages.

**ESPECIFICA I7S**

**5FN** ( ):  
 a 15': 2.25 min es ma .  
 a 25': 6.5 min es ma .

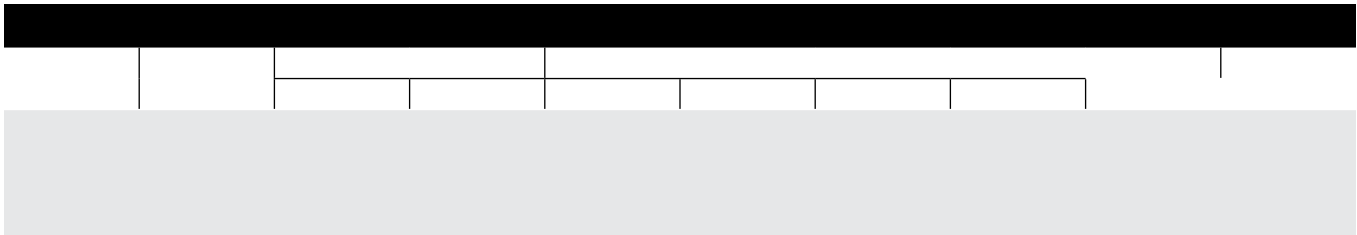
**7FN** ( ):  
 a 15': 1.7 min es ma .  
 a 25': 4.4 min es ma .

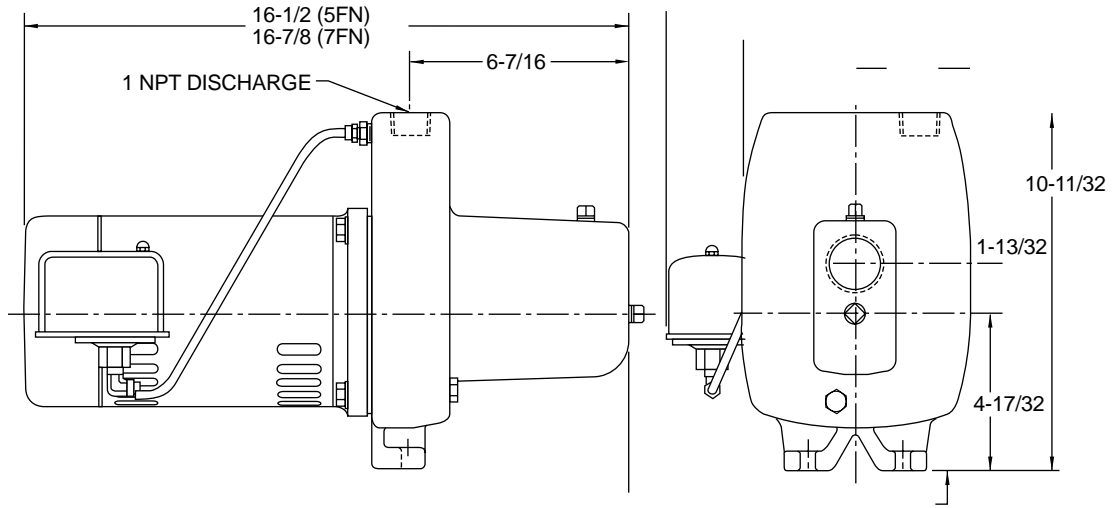
**Máx. L** : 140 F  
**5FN Máx. P** : 60 PSI  
**7FN Máx. P** : 50 PSI  
**Máx. S I+ D e S I:**  
 No o eceed 100 PSI

**B** : Close-grained cast iron  
**N** : High-strength polycarbonate  
**P** : Polycarbonate  
**I** : Nor

# BE KELEY FNS

Cas iron, self-priming shallo ell je p mps







US: 293 WRIGHT STREET, DELAVAN, WI 53115 WWW.BERKELEYPUMPS.COM PH: 888.782.7483 ORDERS FAX: 800.426.9446  
CANADA: 490 PINEBUSH ROAD, UNIT 4, CAMBRIDGE, ONTARIO N1T 0A5 PH: 800-363-7867 ORDERS FAX: 888-606-5484  
Because we are continually improving our products and services, Pentair reserves the right to change specifications without prior notice.