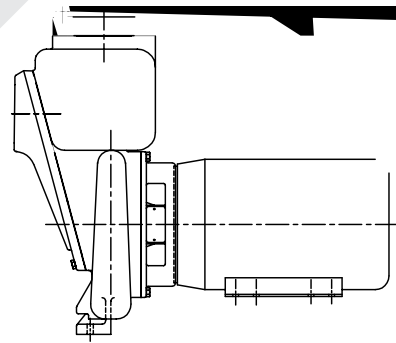




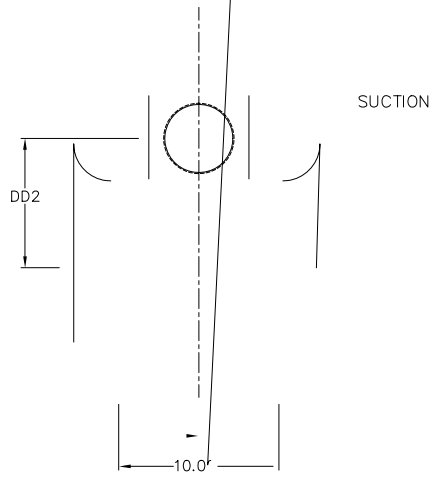
# BERKELEY<sup>®</sup> B SERIES SELF-PRIMING CENTRIFUGAL PUMPS PUMP DIMENSIONS





# SAE Mount Dimensions

# Hydraulic Mount Dimensions







# Electric Motor Dimensions



293 WRIGHT STREET, DELAVAN, WI 53115 [WWW.BERKELEYPUMPS.COM](http://WWW.BERKELEYPUMPS.COM)  
PH: 888-237-5353 ORDERS FAX: 800-321-8793

Because we are continuously improving our products and services, Pentair reserves the right to change specifications without prior notice.

© 2012 Pentair Ltd. All Rights Reserved.

B2229BK (12-12-12)