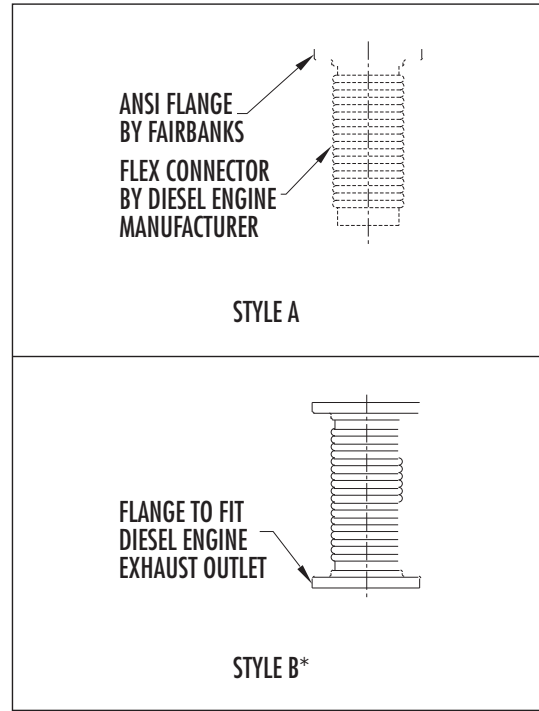


ENGINE MODEL	MUFFLER CONNECTION SIZE	FLEX CONNECTOR STYLE
<b>CATERPILLAR</b>		
3406C	6" FLANGED	B
3412C*, 3508C, C18*	8" FLANGED	B
<b>CLARKE FIRE PROTECTION</b>		
JU4H-UF10, -UF12, -UF14, -UF20, -UF22, -UF24, -UFAB26, -UFAEAO, -UFAEE8, -UFAEF2, -UFADJ2, -UFADJ8	3" NPT	A
JU4R-UF09, -UF11, -UF13, -UF19, -UF21, -UF23, -UFAEA9, -UFAEE7, -UFAEF1		
JU4H-UF30, -UF32, -UF34, -UF40, -UF42, -UF50, -UF52, -UF54, -UF58, -UFADJG, -UFADPO, -UFADRO, -UFADW8, -UFADY8, -UFAD5G	4" FLANGED	A
JU4R-UF40, -UF49, UF51 -UF53		
JU6H-UF30, -UF32, -UF34, -UF50, -UF52, -UF54, -UF58, -UF60, -UF62, -UF62, -UF68, -UF84, -UFAAPG, -UFAAQ8, -UFAARG, -UFAASO, -UFAB76, -UFABLO, -UFABL8, -UFDO, -UFD2, -UFG8, -UFMO, -UFM2, -UFM8, -UFAD58, -UFAD88, -UFADMO, -UFADM8, -UFADNO, -UFADNG, -UFADP8	5" FLANGED	B
<b>DP6H SERIES</b>		
JW6H-UF30, -UF40, UF48		
<b>DSOH SERIES*</b>		
DR8H SERIES*	5" FLANGE	B
JW6H-UF50, -UF58, -UF60, -UF8, -UFAAM8, -UFAA80, -UFADDO, -UFAD80, -UFADFO, -UFADJO, -FAD70, -UFAD80		
JU6H-UFAD98, -UFADPO, -UFADQO, -UFADRO, -UFADR8, -UFADSO, -UFADS8, -FADTO, -UFADW8 -UFADX8	6" FLANGED	B
<b>DQ6H SERIES</b>		
<b>DT2H SERIES*</b>		
JX6H SERIES	8" FLANGED	B
<b>CUMMINS</b>		
CFP5E, CFP59, CFP7E Series	3" NPT, FLANGED, CUFF	A, B
CFP83 Series	4" NPT, FLANGED, CUFF	A, B
CFP9E Series	4" NPT, FLANGED, CUFF	A, B
CFP11E Series	5" NPT, FLANGED, CUFF	A, B
CFP15E Series	6" FLANGED	B
CFP23E Series	6" FLANGED	B
CFP30E Series	6" FLANGED	B
<b>DEUTZ</b>		
DFF4-2011 Series	3" NPT	A
DFF4-2012 Series	4" FLANGED	B
DFF6 Series	6" FLANGED	B



\*FLANGED FLEX CONNECTOR PROVIDED BY DIESEL ENGINE MANUFACTURER. NO ADDITIONAL FLEX CONNECTOR OR ADAPTOR FITTING IS REQUIRED OR PROVIDED BY FAIRBANKS NIJHUIS™.