



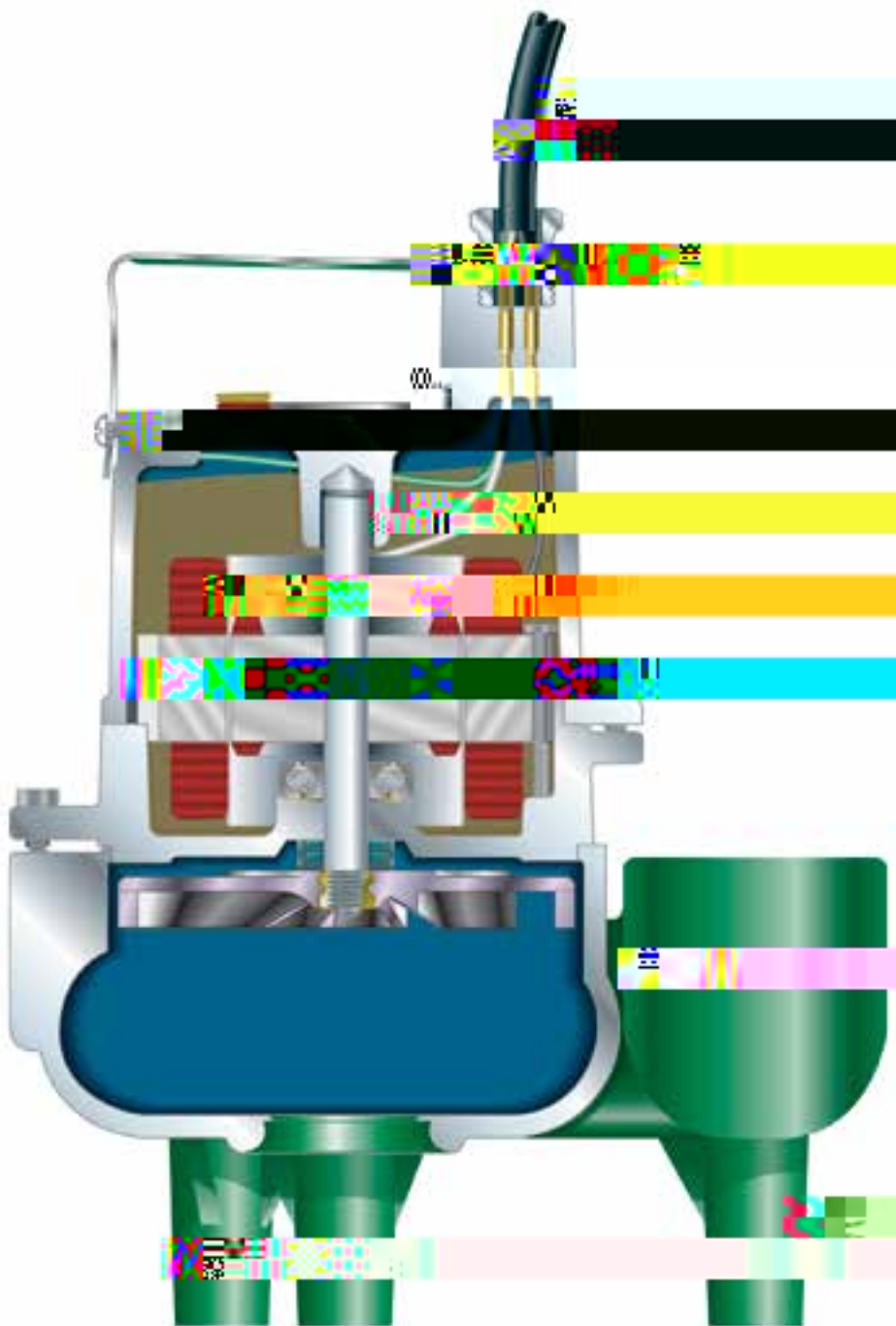
K 40

● a - a
20

a a a 10

● H a - , a

a a



K 40

