

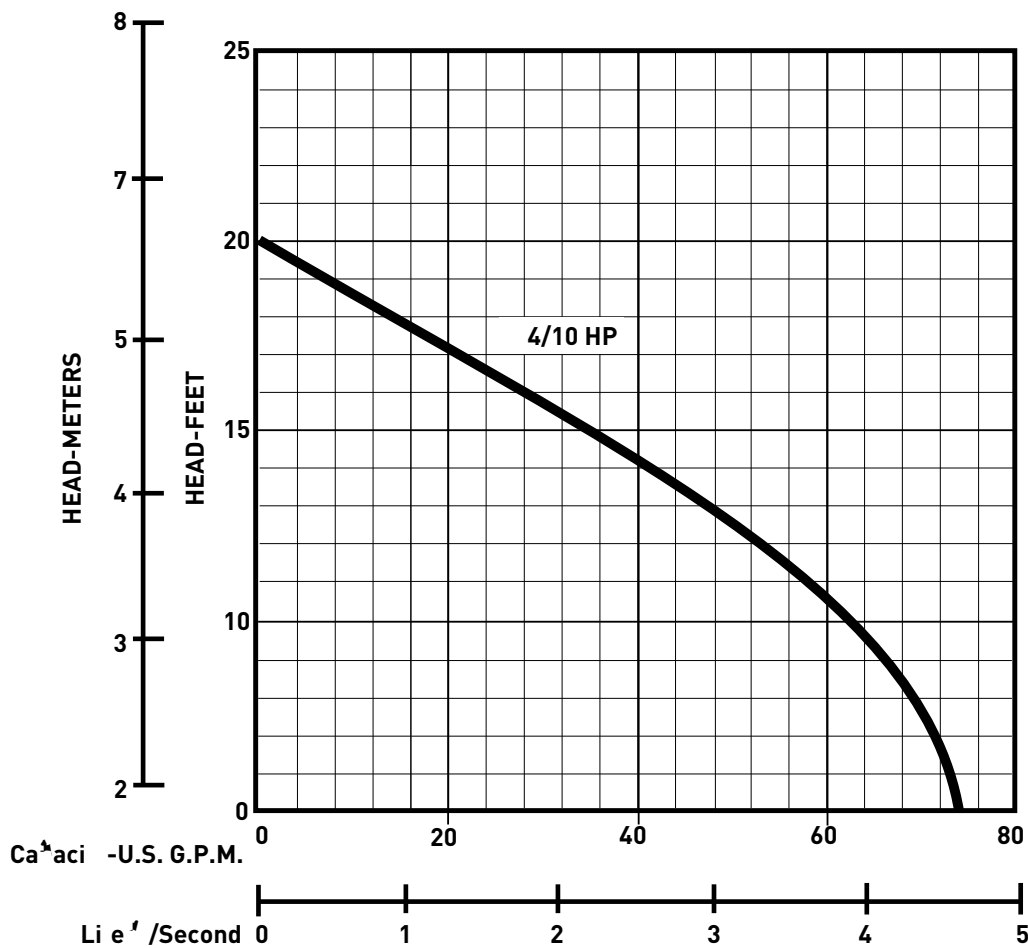
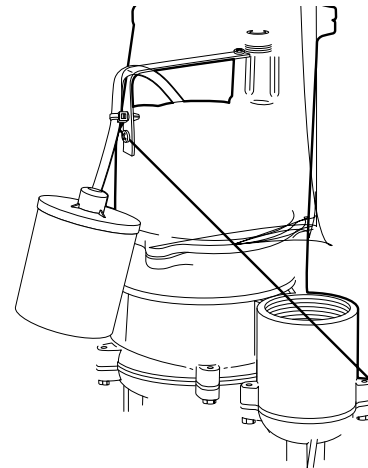
PERFORMANCE DATA

Wholesale Products Page: 7140-1

Dated: August 2002

Supersedes: May 2002

RPM: 1550 Discharge: 2" Solids: 2"



The curves reflect maximum performance characteristics without exceeding full load (Nameplate) horsepower. All pumps have a service factor of 1.2. Operation is recommended in the bounded area with operational point within the curve limit. Performance curves are based on actual tests with clear water at 70° F. and 1280 feet site elevation.



Conditions of Service:

GPM: _____ TDH: _____

