



**MYERS®**

MODELS 6VH AND 6VHX

**6" SOLIDS HANDLING  
WASTEWATER PUMPS**

STANDARD (6VH) AND HAZARDOUS LOCATION (6VHX) CONSTRUCTION



# MYERS® MODEL 6 H AND 6 H Solids Handling Wastewater Pumps

## The Right Choice

The 6VH and 6VHX (hazardous location) submersible wastewater pumps are a

# Pump Features and Applications

## D. Shaft Seals

Double tandem mechanical shaft seals protect motor. Oil-filled seal chamber provides continuous lubrication.

## E. Seal Leak Probes

Detect water in seal housing. Activate warning light in control panel.

## A. Cable Entry System

Provides double seal protection. Cable jacket sealed by compression grommet. Individual wires sealed by epoxy potting.

## B. Heat Sensor

Protects motor from burnout due to excessive heat from any overload condition. Automatically resets when motor has cooled.

## C. Ball Bearings

Upper and lower ball bearings support shaft and rotor and take axial and radial loads.

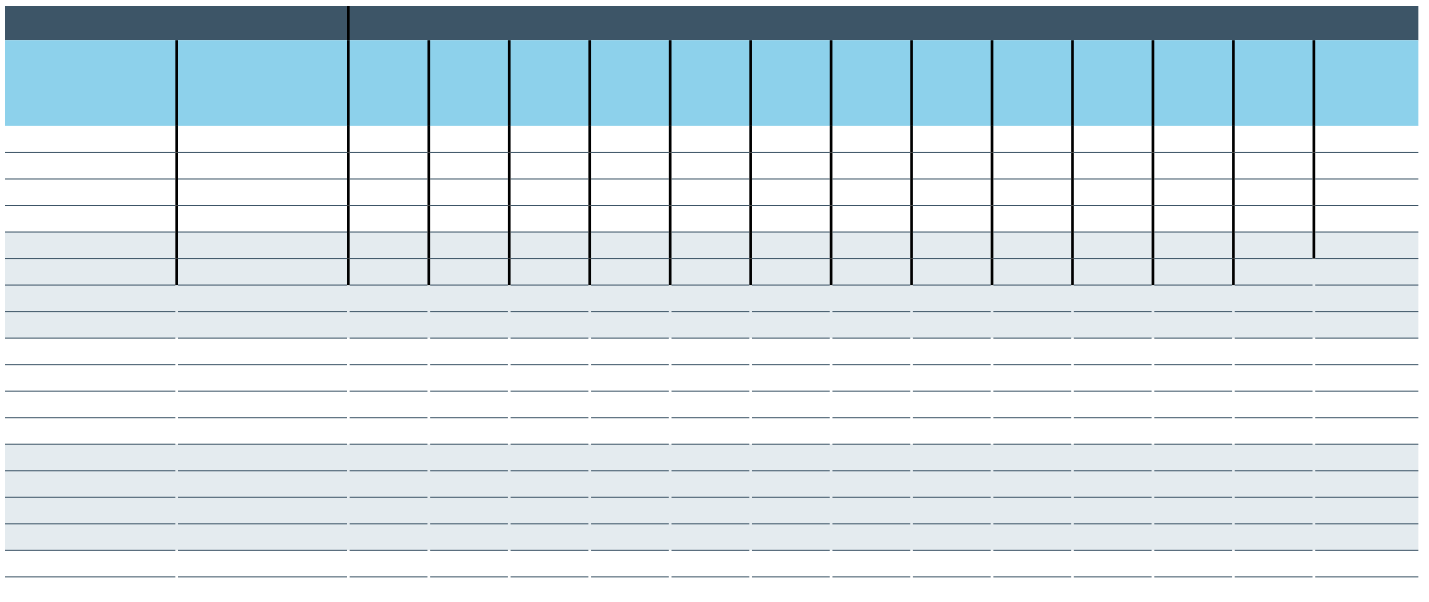
# Performance Data

1150 RPM

Available Models		Motor Electrical Data												
Standard	Hazardous Location	HP	Volts	Phase	Hertz	Start Amps	Run Amps	Service Factor Amps	Run kW	Service Factor kW	Start KVA	Run KVA	NEC Code Letter	Service Factor
6VH30M6-03	6VHX30M6-03	3	208	3	60	77	15.9	19	3.3	4.3	26.7	5.5		

# Performance Data

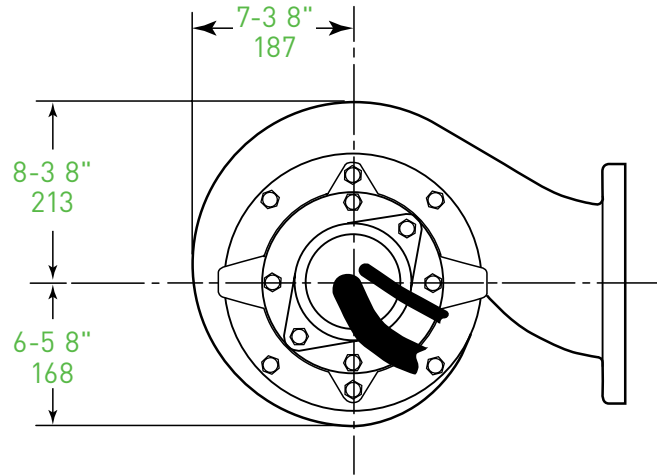
1750 RPM



Performance Data														
1750 RPM														
1	2	3	4	5	6	7	8	9	10	11	12	13	14	15

# Dimensions

Dimensions in inches, [ ] Dimensions in mm







1101 MYERS PARKWAY  
ASHLAND, OHIO 44805  
PH: 855-274-8948  
WWW.FEMYERS.COM

490 PINEBUSH ROAD, UNIT 4  
CAMBRIDGE, ONTARIO, CANADA N1T 0A5  
PH: 800-387-4386 ORDERS FAX: 888-606-5484  
WWW.FEMYERS.COM

Because we are continuously improving our products and services, Pentair reserves the right to change specifications without prior notice.  
K3385 08/07/17 © 2017 Pentair Ltd. All Rights Reserved.