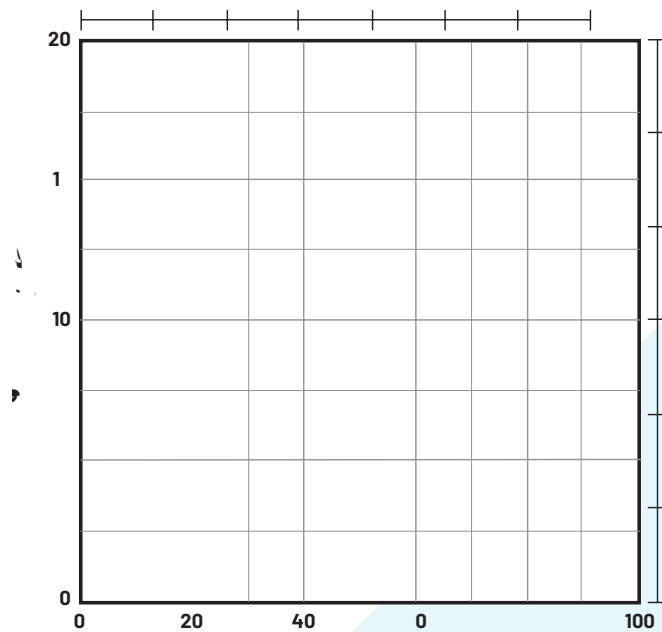
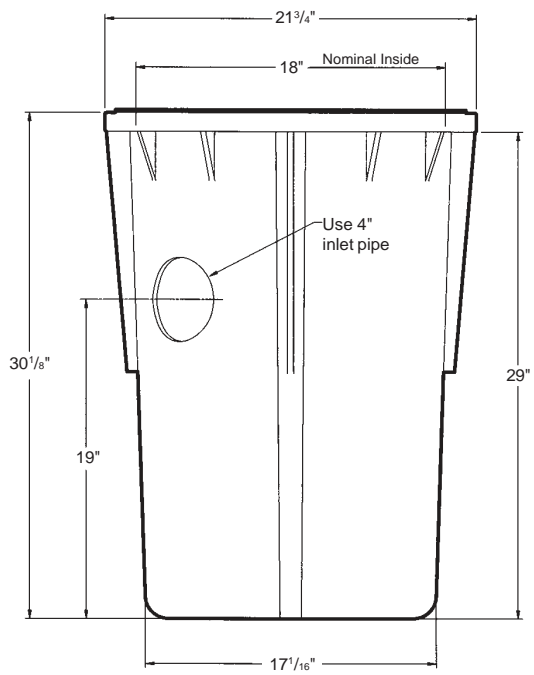




MYEP 



	Rawsewage, effluent, and drain water
	Cast iron motor housing, thermoplastic casing
	Recessed, thermoplastic
	Thermoplastic
	Type 11A, carbon and ceramic



							1pc. Structural Foam			Tethered Automatic		
--	--	--	--	--	--	--	----------------------	--	--	--------------------	--	--



293 Wright Street,
Delavan, WI 53115
USA
Phone: 888.782.7483
Orders Fax: 800.426.9446

490 Pinebush Road
Unit 4
Cambridge, Ontario N1T 0A5
Canada
Phone: 800.363.7867
Orders Fax: 888.606.5484

for more info, visit pentair.com

