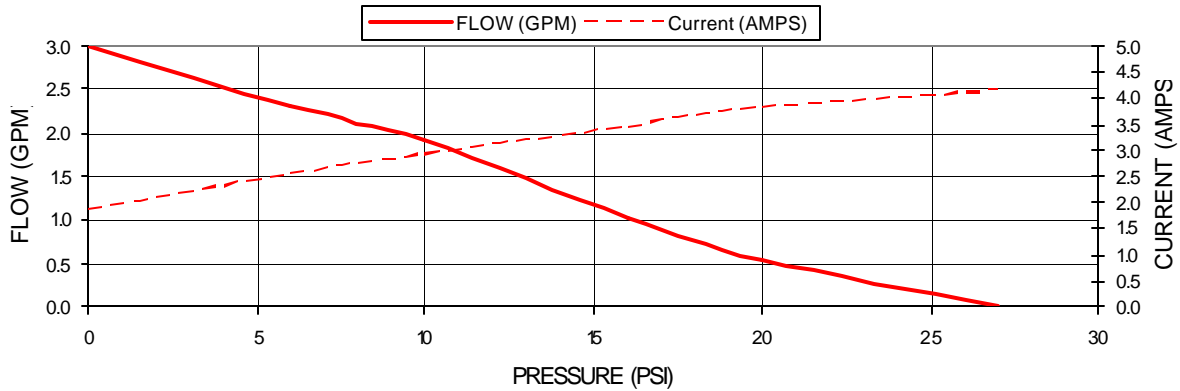




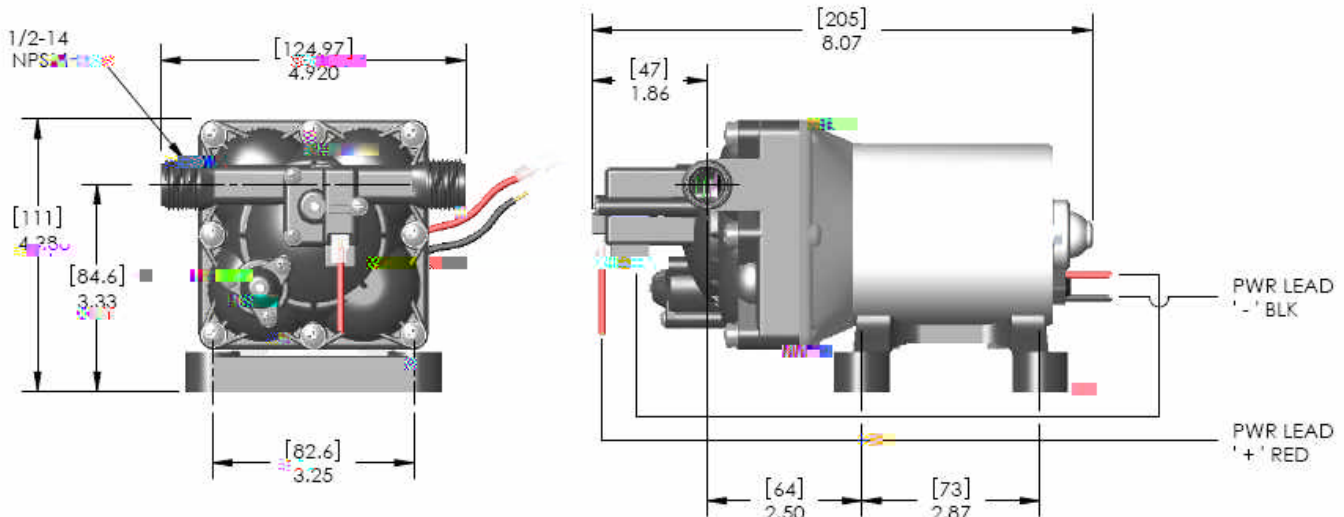
Type: 4 Chamber Diaphragm pump
Ports: 1/2"-14 NPSM-Male.
Liquid: 54 °C [130 °F] Max
Dry-Prime: 1.82 M [6 feet]
Inlet P,5A

TYPICAL PERFORMANCE

PRESSURE		FLOW		CURRENT
BAR	PSI	GPM	LPM	AMPS
0.0	0	3.0	11.3	1.85
0.4	6	2.30	8.70	2.54
0.7	10	1.93	7.30	2.92
1.1	16	1.03	3.89	3.44
1.4	20	0.54	2.04	3.80
1.9	27	0.00	0.00	4.14



DIMENSIONS [mm]



Visit our Web Site at <http://www.shurflo.com>

Shurflo reserves the right to update specifications, change prices, or make substitutions without notice.

SHURflo Europe, Middle East, Africa
 Pentair Water Belgium bvba
 Industriepark Wolfstee, Toekomstlann 30
 B-2200 Herentals, Belgium
 Phone + 32-14-283500 Fax + 32-14-283505

