



OWNER'S MANUAL
**“ED”, “EDD”, and “EEDD” SERIES
 ENGINE DRIVEN SELF-PRIMING
 CENTRIFUGAL PUMPS**

STA-RITE®

Limited Warranty

STA-RITE warrants to the original consumer purchaser (“Purchaser” or “You”) of the products listed below, that they will be free from defects in material and workmanship for the Warranty Period shown below.

Product	Warranty Period
Water Systems Products — jet pumps, small centrifugal pumps, submersible pumps and related accessories	12 months from date of original installation, or 18 months from date of manufacture
Pro-Source® Composite Tanks	5 years from date of original installation
Pro-Source® Steel Pressure Tanks	5 years from date of original installation
Pro-Source® Epoxy-Lined Tanks	3 years from date of original installation
Sump/Sewage/Effluent Products	12 months from date of original installation, or 18 months from date of manufacture

Our warranty will not apply to any product that, in our sole judgement, has been subject to negligence, misapplication, improper installation, or improper maintenance. Without limiting the foregoing, operating a three phase motor with single phase power through a phase converter will void the warranty. Note also that three phase motors must be protected by three-leg, ambient compensated, extra-quick trip overload relays of the recommended size or the warranty is void.

Your only remedy, and STA-RITE’s only duty, is that STA-RITE repair or replace defective products (at STA-RITE’s choice). You must pay all labor and shipping charges associated with this warranty and must request warranty service through the installing dealer as soon as a problem is discovered. No request for service will be accepted if received after the Warranty Period has expired. This warranty is not transferable.

STA-RITE SHALL NOT BE LIABLE FOR ANY CONSEQUENTIAL, INCIDENTAL, OR CONTINGENT DAMAGES WHATSOEVER. THE FOREGOING WARRANTIES ARE EXCLUSIVE AND IN LIEU OF ALL OTHER EXPRESS AND IMPLIED WARRANTIES, INCLUDING BUT NOT LIMITED TO THE IMPLIED WARRANTIES OF MERCHANTABILITY AND FITNESS FOR A PARTICULAR PURPOSE. THE FOREGOING WARRANTIES SHALL NOT EXTEND BEYOND THE DURATION EXPRESSLY PROVIDED HEREIN.

Some states do not allow the exclusion or limitation of incidental or consequential damages or limitations on the duration of an implied warranty, so the above limitations or exclusions may not apply to You. This warranty gives You specific legal rights and You may also have other rights which vary from state to state.

This Limited Warranty is effective June 1, 2011 and replaces all undated warranties and warranties dated before June 1, 2011.

STA-RITE INDUSTRIES
293 Wright Street • Delavan, WI U.S.A. 53115
Phone: 1-888-782-7483 • Fax: 1-800-426-9446 • Web Site: sta-rite.com

California Proposition 65 Warning

▲ WARNING This product and related accessories contain chemicals known to the State of California to cause cancer, birth defects or other reproductive harm.

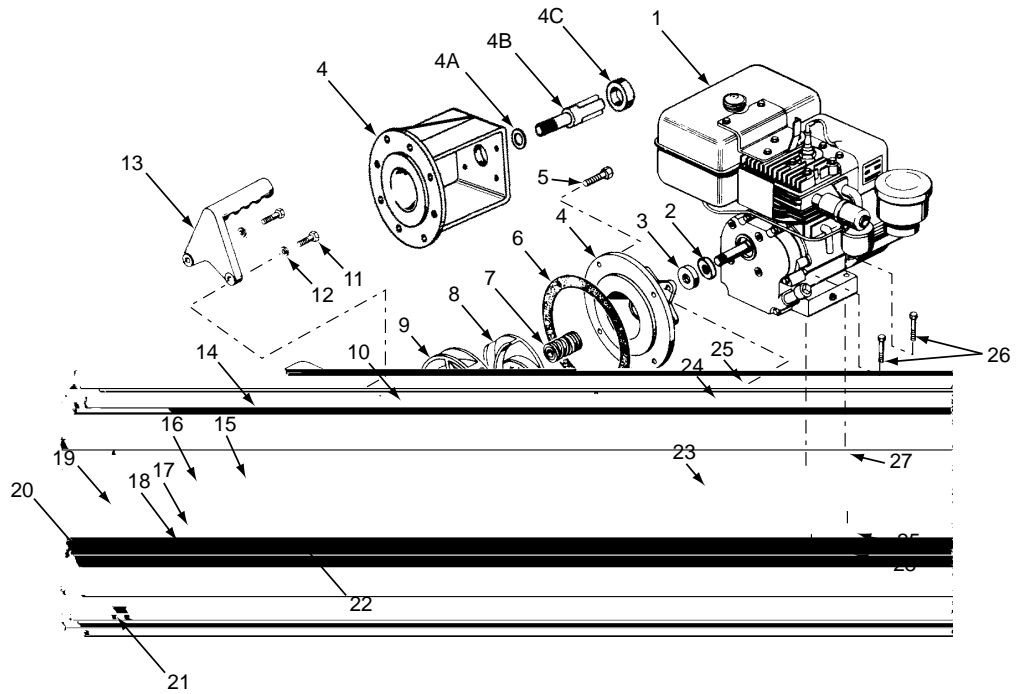
MODEL EEDD-29 PUMP UNIT ONLY

To mount pump to your engine, proceed as follows:

1. Loosen clamp assembly (Key No. 4C) on shaft extension. Position pump adapter on motor; insert engine shaft into shaft extension. BE SURE pump adapter pilot fits pilot bore in engine.
2. Attach pump adapter to engine using (4) 5/16 x 3/4" capscrews and lockwashers—(5/16-24 capscrews are required for engines with aluminum blocks, and 5/16-18 capscrews are required for engines with cast iron blocks).
- 3.

PUMP SERVICE

EXPLODED VIEW



Key No.	Part Description	No. Used	EEDD-29*			
			EEDDH-29R 3-1/2 HPPump w/ or w/oEngine	EDDH-29R 3-1/2 HP Pump w/Engine	EDG-105 2 HP Pump w/Engine	EDPH-29R 3-1/2 HP Pump w/Engine
1	Gas Engine	1	U277-29BR	U277-29R	U277-10	U277-29R
2	Grease Seal - Shaft	1	—	—	U9-42	—
3	Water Slinger	1	—	17351-0009	C69-2	17351-0009
4	Adapter	1	C2-49	C2-14B	C2-14F	C2-14B
4A	Spacer	1	C43-37	—	—	—
4B	Shaft Extension	1	C10-22	—	—	—
4C	Clamp Assembly	1	sC111-1	—	—	—
5						